

LED Compact Work Light – Model 892

PRODUCT INFORMATION

Description	12/24V LED Work Light Pedestal Mount
Height	120.40 mm / 4.74 in
Width	99.90 mm / 3.93 in
Depth	44.56 mm / 1.75 in
Shape	Square
Outer Lens Material	Polycarbonate
Outer Lens Color	Clear
Housing Material	Aluminum
Housing Color	Black
Mounting Hardware Description	(x1) 5/16"-18 x 1.00" Mounting Bolt Bracket
Mounting Type	Pedestal
Minimum Operating Temperature	-40 °C / -40 °F
Maximum Operating Temperature	60 °C / 140 °F
Mating Connector	Deutsch DT06-2S-E003
Product Weight	0.90 lbs / 0.41 kgs
Shipping Weight	1.03 lbs / 0.47 kgs

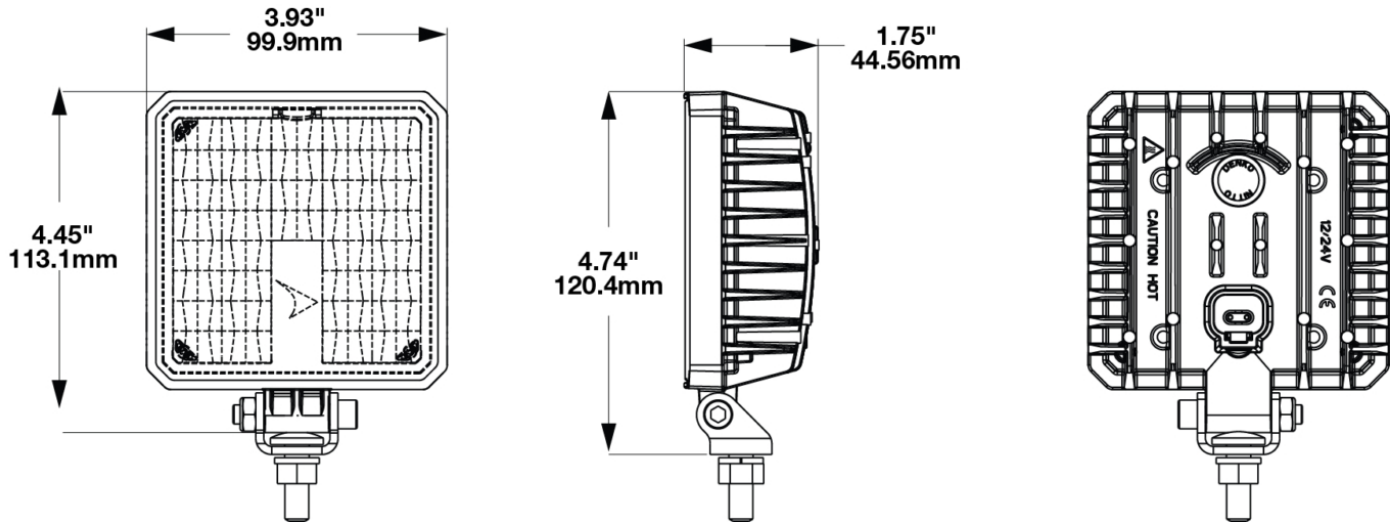


Print date: 2023-06-01

© 2023 J.W. Speaker Corporation • Germantown, WI U.S.A.
www.jwspeaker.com • speaker@jwspeaker.com • 262.251.6660

LED Compact Work Light – Model 892

PRODUCT DIMENSIONS



ELECTRICAL SPECIFICATIONS

Input Voltage	12-24V DC
Operating Voltage	9-30V DC
Transient Spike Protection	330V Peak @ 1 HZ-100 Pulses
Red Wire	Power
Black Wire	Ground
Current Draw	4.38A @ 12V DC (Power) 1.84A @ 24V DC (Power)

Print date: 2023-06-01

© 2023 J.W. Speaker Corporation • Germantown, WI U.S.A.
www.jwspeaker.com • speaker@jwspeaker.com • 262.251.6660

LED Compact Work Light – Model 892

REGULATORY STANDARDS COMPLIANCE



Buy America Standards

Eco Friendly

IEC IP69K

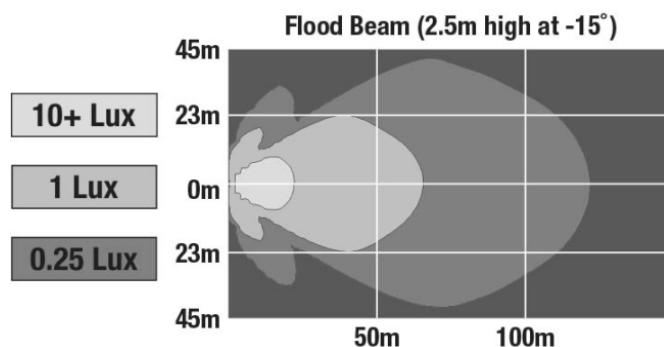
ECE Reg 10

IEC IP67

Tested to ECE Reg. 10
(Radiated Emissions only)

PHOTOMETRIC SPECIFICATIONS

Raw Lumen Output	6372
Effective Lumen Output	3800
Candela Output	5839
Nominal LED Color Temperature	5050 K



APPLICATIONS



PRODUCT WARNINGS

For California residents:

⚠ **WARNING:** Cancer and reproductive harm - www.P65Warnings.ca.gov.

⚠ **AVERTISSEMENT:** Cancer et effet nocif sur la reproduction - www.P65Warnings.ca.gov.

Print date: 2023-06-01

© 2023 J.W. Speaker Corporation • Germantown, WI U.S.A.
www.jwspeaker.com • speaker@jwspeaker.com • 262.251.6660

J.W. SPEAKER
Engineered. Lighting. Solutions.