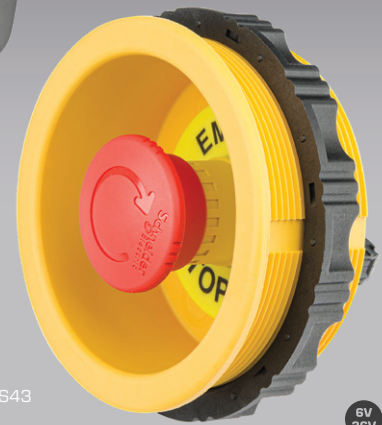


# Switches - Emergency Stop

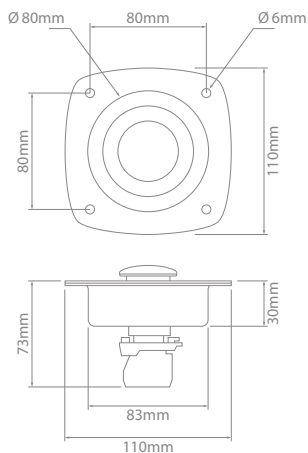
- Recessed panel mount emergency stop kits.
- Protect switches and prevent accidental activation.
- Supplied with latching Telemecanique emergency stop switches.
- Telemecanique contact blocks.
- Round e-stop legends.
- Each component also sold separately.
- Multi-voltage.



Recessed E-Stop Kits

6V  
36V

<b>Voltage :</b>	6-36V
<b>Contacts :</b>	Silver Alloy
<b>Button :</b>	Polymer
<b>Enclosure :</b>	Coated Carbon Steel
	PA66
<b>Operating Temperature :</b>	-25°C to 70°C



## Recessed E-Stop Kits - Steel

Part No.	Contact Block	Kit Contents:
<b>TMS40</b>	N/O & N/C	1 x Latching E-Stop Switch (TMS12) 1 x Contact Block N/O & N/C (TMS10) or 2 x N/O (TMS25) 1 x Round Legend "EMERGENCY STOP" (TMS52) 1 x Rubber Gasket 1 x Recessed Mounting Bracket - Steel (TMS51)
<b>TMS41</b>	2 x N/O	



## Switches - Emergency Stop



### Recessed E-Stop Kits - Nylon NEW

Part No.	Contact Block	Kit Contents:
<b>TMS44</b>	N/O & N/C	1 x Latching E-Stop Switch (TMS12) 1 x Contact Block N/O & N/C (TMS10) or 2 x N/O (TMS25)
<b>TMS43</b>	2 x N/O	1 x Round Legend "EMERGENCY STOP" (TMS52) 1 x Threaded Nut Fastener 1 x Recessed Mounting Bracket - Nylon (TMS53)